

Dell Wyse 3040 monitor mount for 2017 P-series Dell monitors

Installation guide



Notes, cautions, and warnings

 **NOTE:** A NOTE indicates important information that helps you make better use of your product.

 **CAUTION:** A CAUTION indicates either potential damage to hardware or loss of data and tells you how to avoid the problem.

 **WARNING:** A WARNING indicates a potential for property damage, personal injury, or death.

Copyright © 2017 Dell Inc. or its subsidiaries. All rights reserved. Dell, EMC, Dell EMC and other trademarks are trademarks of Dell Inc. or its subsidiaries. Other trademarks may be trademarks of their respective owners.

Contents

1 Dell monitor using this mount.....	4
2 Included in the kit.....	5
3 Mounting the thin client.....	7



Dell monitor using this mount

Dell Wyse 3040 monitor mount for 2017 P-series monitors is designed to work with the following monitors:

- P1917S
- P2017H
- P2217H with stand
- P2217H without stand
- P2317H
- P2417H with stand
- P2417H without stand
- P2717H
- P2418T
- P2418HZ

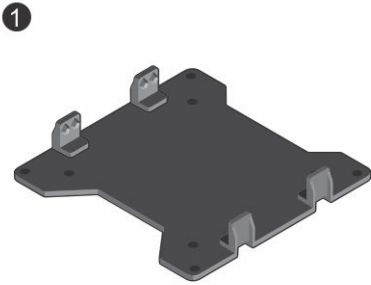
NOTE: This mount is only designed to work with the Dell monitors listed above. This should not be used with other monitors.

Included in the kit

For Dell Wyse 3040

Parts provided in the kit include:

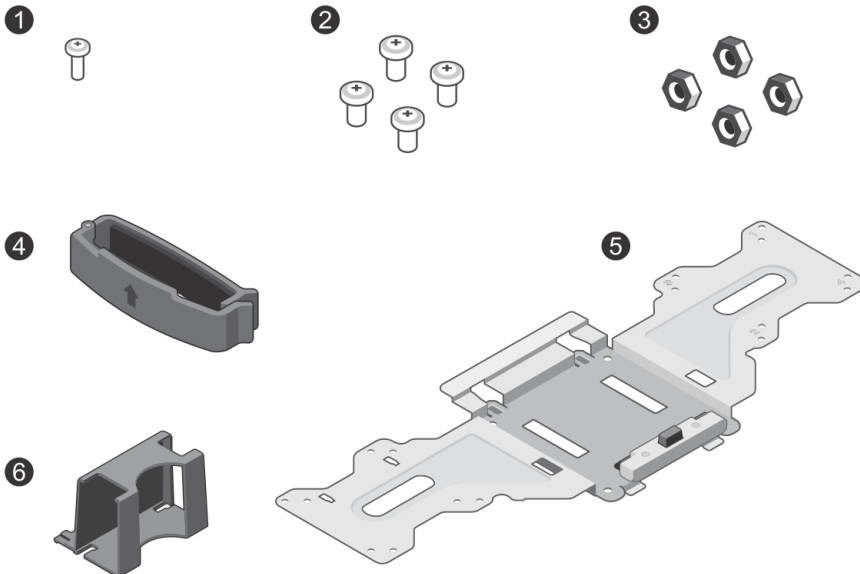
- 1 One Dell Wyse 3040 mount



For P-series monitor mount

Parts provided in the kit include:

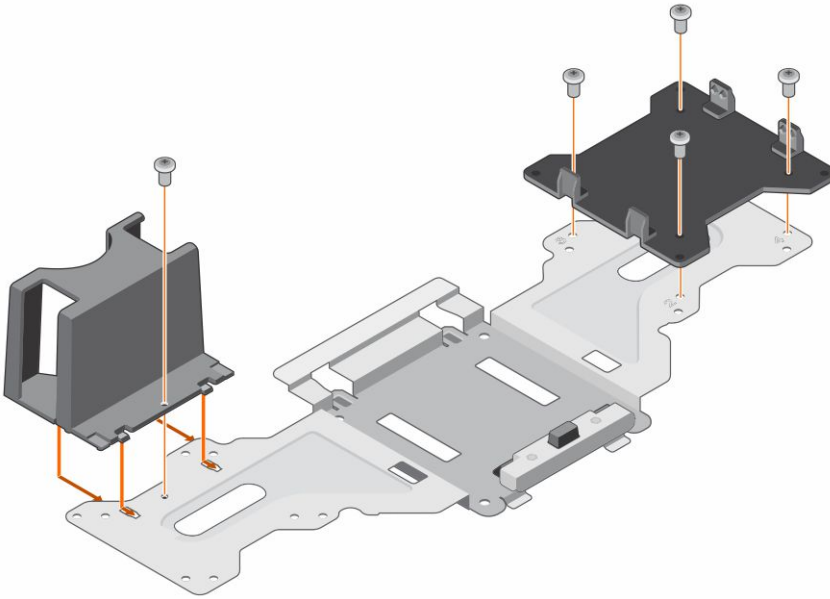
- 1 One screw (M2.5x0.45)
- 2 Four screws (M4x0.7-6)
- 3 Four hex nuts (M4x0.7)
- 4 One stopper
- 5 One monitor mount for 2017 P-series monitors
- 6 One power adaptor holder



Mounting the thin client

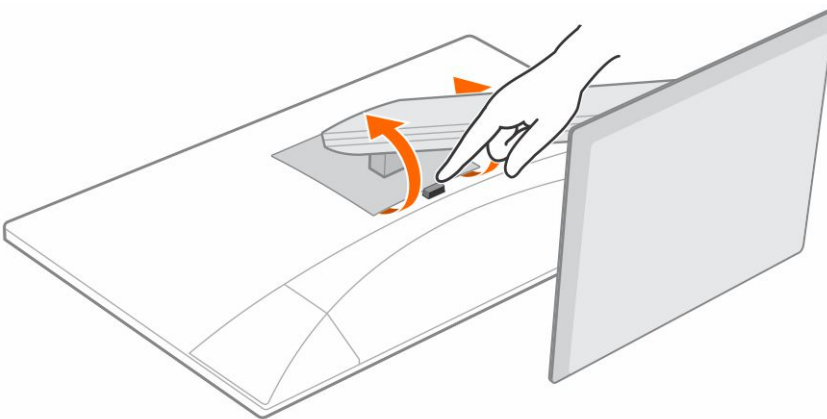
Use the following instructions for mounting the client to the P-series mount.

- 1 **Attaching 3040 mount** —Install 3040 mount on the P-series mount with the (4) M4x0.7 screws included in the kit.



NOTE: The four clips that hold the Dell Wyse 3040 onto the mount must be in the horizontal orientation.

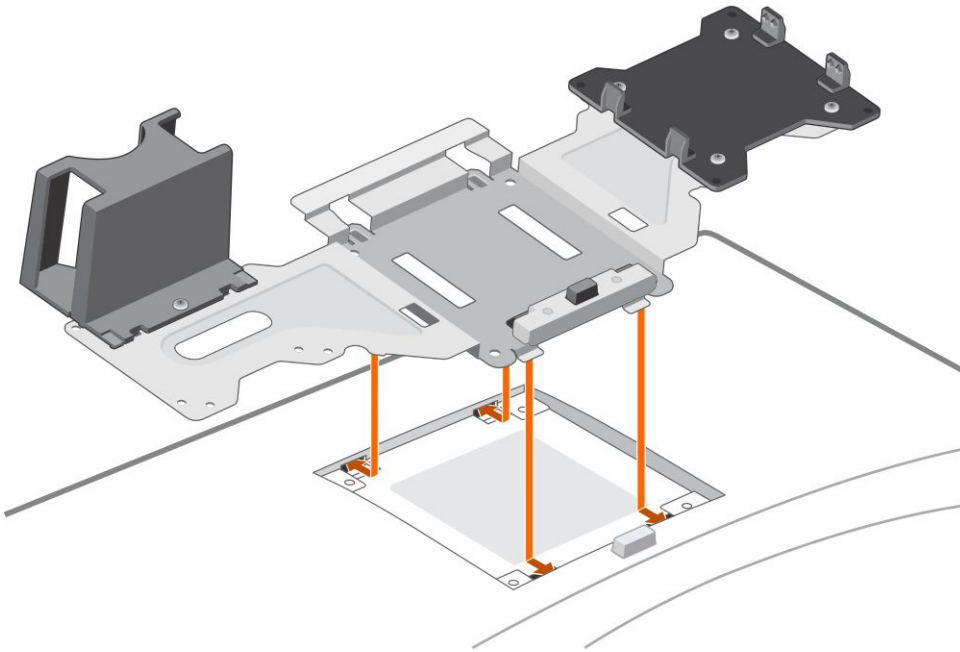
- 2 **Attaching the Power Adaptor Holder** —Slide the small hooks downward into the vertical slotted holes and the large hooks onto the top edge of the mount. Use the M2.5x0.45 screw provided to secure the power adaptor holder onto the mount where indicated.
- 3 **Attaching the P-series mount to the monitor** —Place the monitor panel face down on a soft cloth or cushion.
—Remove the stand from the monitor by pushing the monitor's quick release button.



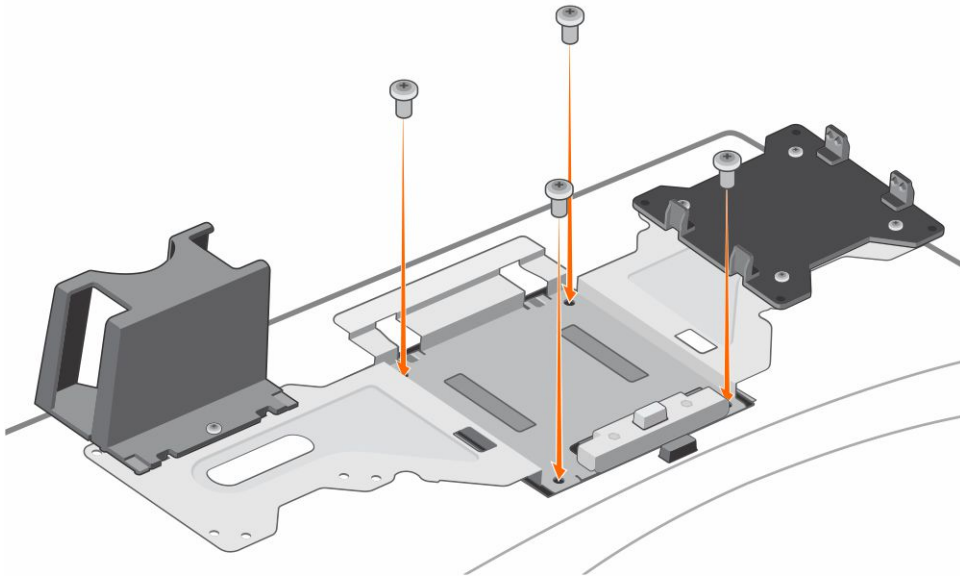
NOTE: For ease of installation, position the monitor with the base of the stand hanging over the edge of the table.

—Remove the four (4) monitor screws from the back of the monitor and set them aside.

—Position the P-series mount's central section on the back of the monitor. Tilt and slide the mount's top tabs into the dedicated tab slots, and then firmly slide down the bottom edge of the mount until it snaps in place.

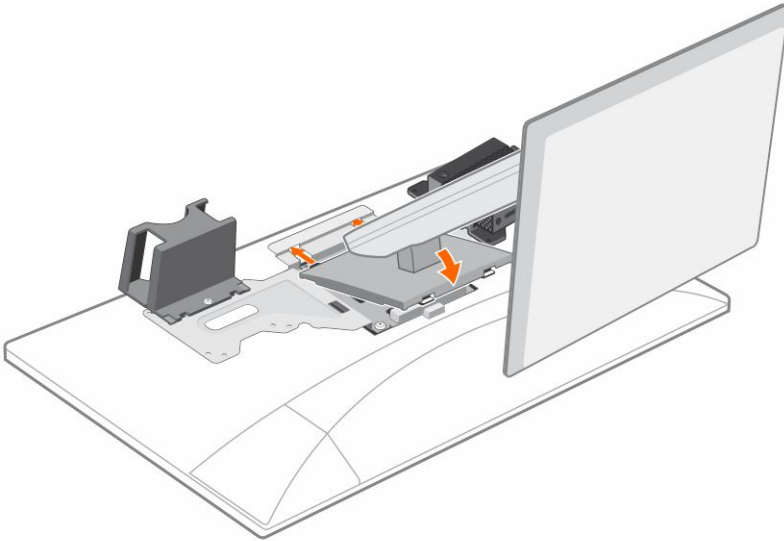


—Install the P-series mount to the back of the monitor using the four monitor screws set aside earlier (do not over-tighten).

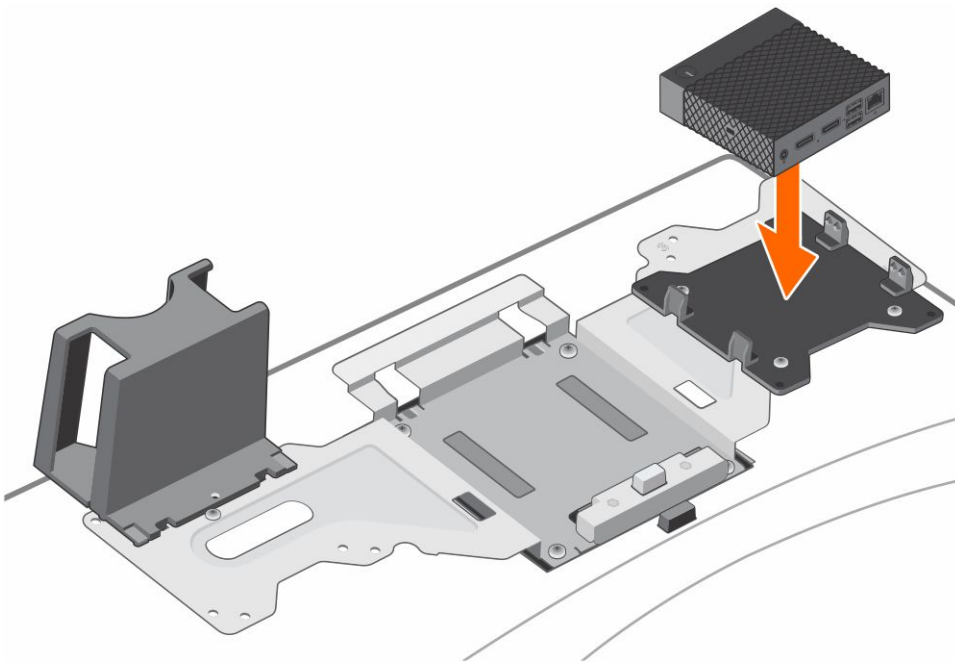


⚠ CAUTION: If you need to remove the P-series mount, remove the monitor screws and then press the lower quick release button (in black) on the monitor, not the upper release button (in silver) on the mount.

- 4 **Reinstalling the monitor stand**— Insert the upper stand tabs into the dedicated space on the P-series mount and gently press down until the quick release button latches in. Place the monitor in the upright standing position.



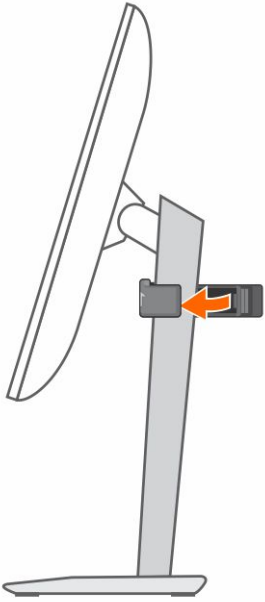
- 5 **Attaching the client**— Place the client over the bracket and gently push the client until it clicks.



NOTE: The power button of the client must face upward.

- 6 Adjusting and securing monitor height (optional) -
For portrait orientation - Raise the monitor to maximum height and attach the stopper. Make sure that the arrow on the stopper is facing up and facing the front side of the stand. Wrap the stopper around the stand and snap the ends.

NOTE: The stopper is only required for P-series monitors with height adjustable stands. The stopper is required to hold the monitor in place at the desired height.



7 **Connecting cables**- Make all desired connections, and then connect the power adapter's AC power cord to an electrical outlet.

NOTE: To remove the client, gently pull the client to release it from the mount.